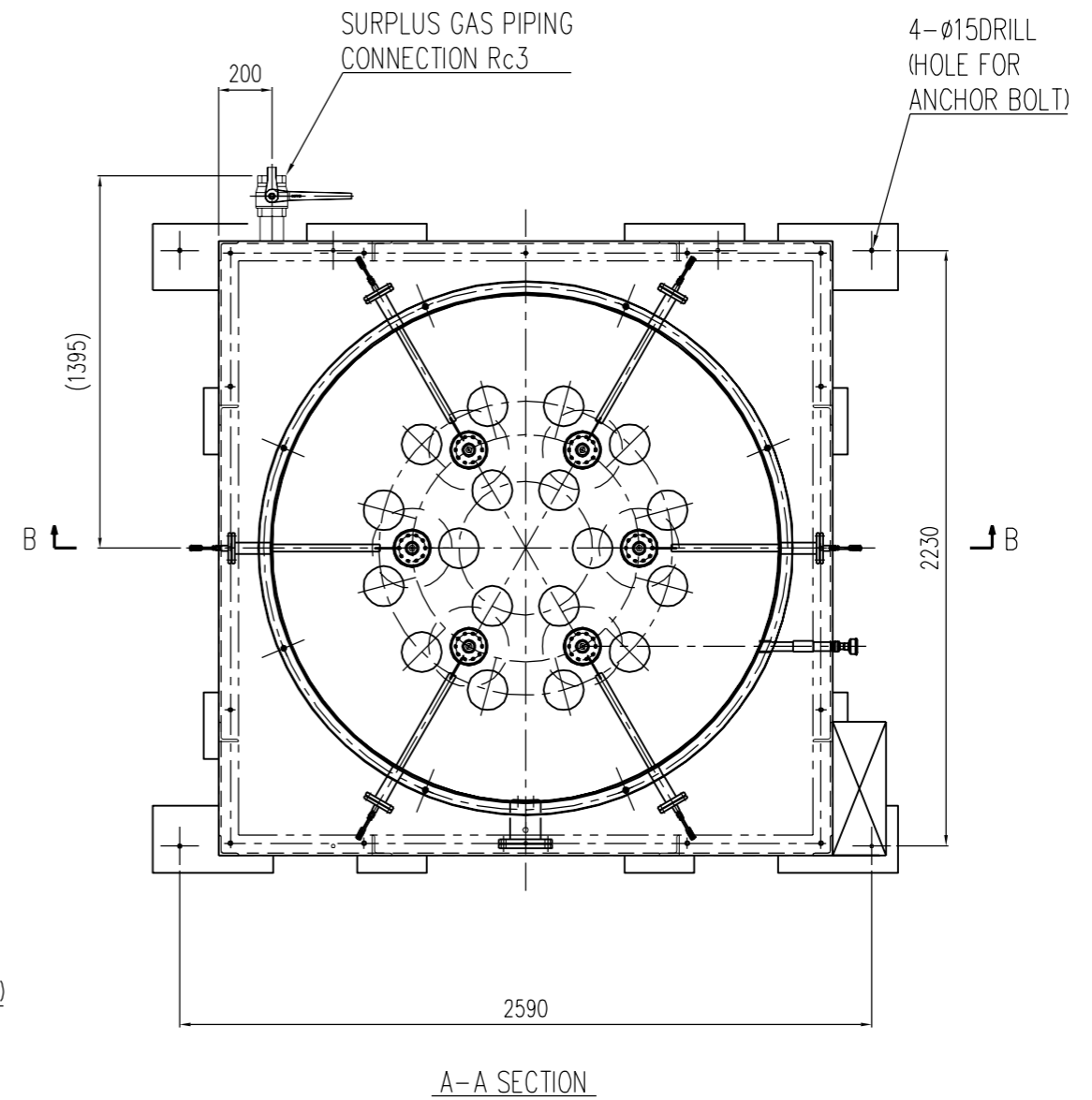
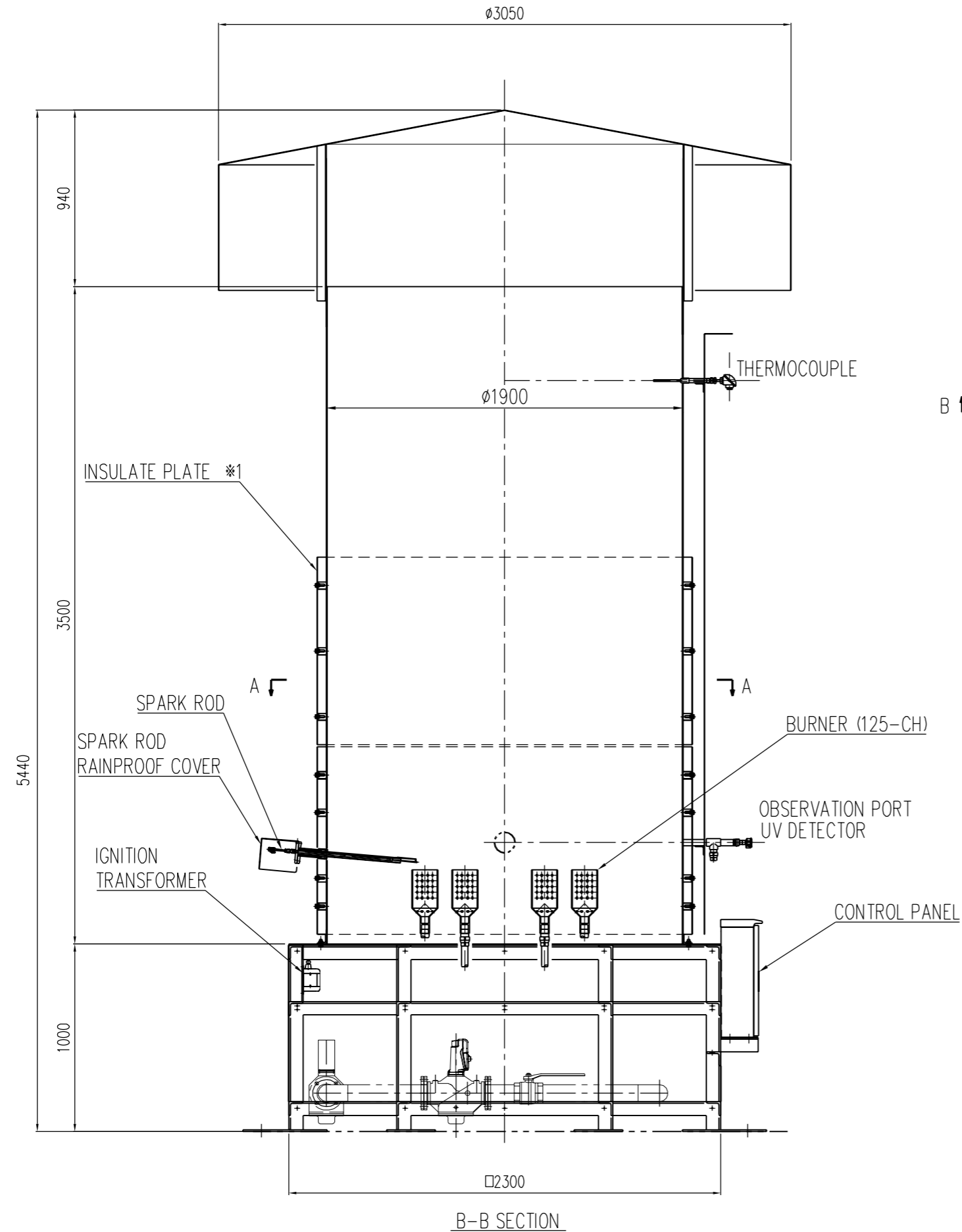


DRAWING NO.

REVISION



*1 OPTION : ADDITIONAL PLATE

NO.	DESCRIPTION	MATL.	QUANT.	REMARKS
TITLE	SURPLUS GAS COMBUSTION SYSTEM		USER	
	type - 6		CUSTOMER	
	EXTERNAL DIMENSION		DATE	**.***.2020
DWG. No.			SCALE	1:25
			THIRD ANGLE PROJECTION	
		GENERAL MANAGER	MANAGER	CHECKED
			DESIGNED	DRAWN
			TRACE	
		T.Y	T.Y	C.O